

# LED light which has fixation property underwater

Blue LED promoting the growth of seaweeds

## Overview

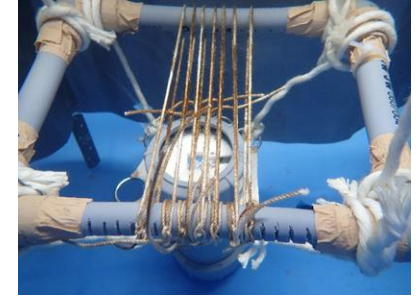
Conventional growing device of seaweed is hung down from near the sea surface into the sea and light up the seaweed from the upper side. So that reason, they are often broken by driftage. Sunlight also come up them from the upper side, only one side of seaweeds is lighted and their growth efficiency is not good. This invention is about the light which has fixation property and able to illuminate from below the seaweed.

## Product Application

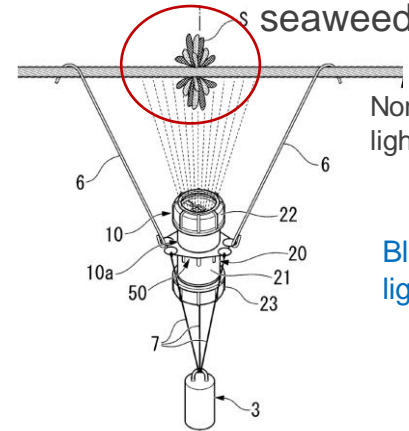
- Growing device of seaweeds
- Marks for divers
- For entertainment

## IP Data

IP No. : JP2022-76104  
 Inventor : Masakazu Aoki  
 Admin No. : T19-817



## Features·Outstandings



## Seaweed spores

Normal light



Blue light



0                      1/5                      1  
 PESI Level

## Related Works

## Contact